

SIRUBA®

銀箭牌工業用縫紉機
INDUSTRIAL SEWING MACHINE

L818F

WITH TRIMMER

零件圖 PARTS LIST



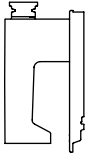

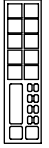
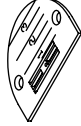
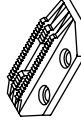
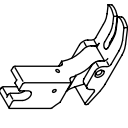


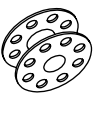
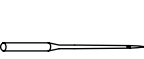
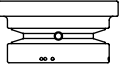
CE



高林股份有限公司
KAULIN MFG. CO., LTD.

MODEL 機 型	SUB-CLASS 規 格	OPERATING PANEL 操作盒	NEEDLE PLATE 針 板	FEED DOG 送 具	PRESSER FOOT 押 具	HOOK ASM 梭 頭	BOBBIN CASE ASM 梭 殼	BOBBIN 梭 子	NEEDLE 針 號	HAND WHEEL 皮 帶 輪
L818F-L1-00 ~ L818F-L1-03	薄布料	LA55F-A	E701	D701	P721	G121	G202	G303	DA*1#9	LH01-A
L818F-L1-00A ~ L818F-L1-03A		LA55F-A	E701	D701	P721	G121	G202	G303	DA*1#9	LH01Q-E
L818F-L1-10 ~ L818F-L1-13		LA53G-A	E701	D701	P721	G121	G202	G303	DA*1#9	LH01-A
L818F-L1-K10 ~ L818F-L1-K13	薄中布	L600A	E701	D701	P721	G121	G202	G303	DA*1#9	LH01P-A
L818F-M1-00 (L818F-M1B-00) L818F-M1-03 (L818F-M1B-03)		LA55F-A	E704	D701	P701	G121	G202	G303	DB*1#11	LH01-A
L818F-M1-00A (L818F-M1B-00A) L818F-M1-03A (L818F-M1B-03A)		LA55F-A	E704D	D701	P701	G121	G202	G303	DB*1#11	LH01Q-E
L818F-M1A-00 (L818F-M1C-00) L818F-M1A-03 (L818F-M1C-03)	至	LA55F-A	E704D	D702	P701	G121	G202	G303	DB*1#11	LH01-A
L818F-M1A-00A (L818F-M1C-00A) L818F-M1A-03A (L818F-M1C-03A)	厚布料	LA55F-A	E704D	D702	P701	G121	G202	G303	DB*1#11	LH01Q-E
L818F-M1-10 (L818F-M1B-10) L818F-M1-13 (L818F-M1B-13)		LA53G-A	E704	D701	P701	G121	G202	G303	DB*1#11	LH01-A
L818F-M1-K10(L818F-M1B-K10) L818F-M1-K13(L818F-M1B-K13)		L600A	E704	D701	P701	G121	G202	G303	DB*1#11	LH01P-A
L818F-M1A-10 (L818F-M1C-10) L818F-M1A-13 (L818F-M1C-13)	厚布料	LA53G-A	E704D	D702	P701	G121	G202	G303	DB*1#11	LH01-A
L818F-M1A-K10 (L818F-M1C-K10) L818F-M1A-K13 (L818F-M1C-K13)		L600A	E704D	D702	P701	G121	G202	G303	DB*1#11	LH01P-A

規格件表 CONVERSION CHART-2

 MODEL 機 型	 SUB-CLASS 規 格	 OPERATING PANEL 操作盒	 NEEDLE PLATE 針 板	 FEED DOG 送 具	 PRESSER FOOT 押 具	 HOOK ASM 梭 頭	 BOBBIN CASE ASM 梭 殼	 BOBBIN 梭 子	 NEEDLE 針 號	 HAND WHEEL 皮 帶 輪
L818F-HM1A-00 L818F-HM1-03	薄中布 至 厚布料	LA55F-A	E704	D701	P701	G121	G202	G303	DB*1#11	LH01-A
L818F-HM1A-00 L818F-HM1A-03		LA55F-A	E704D	D702	P701	G121	G202	G303	DB*1#11	LH01-A
L818F-HM1-10 L818F-HM1-13		LA53G-A	E704	D701	P701	G121	G202	G303	DB*1#11	LH01-A
L818F-HM1-K10 L818F-HM1-K13		L600A	E704	D701	P701	G121	G202	G303	DB*1#11	LH01P-A
L818F-HM1A-10 L818F-HM1A-13		LA53G-A	E704D	D702	P701	G121	G202	G303	DB*1#11	LH01-A
L818F-HM1A-K10 L818F-HM1A-K13		L600A	E704D	D702	P701	G121	G202	G303	DB*1#11	LH01P-A

MODEL	SUB-CLASS	OPERATING PANEL	NEEDLE PLATE	FEED DOG	PRESSER FOOT	HOOK ASM	BOBBIN CASE ASM	BOBBIN	NEEDLE	HAND WHEEL
機 型	規 格	操作盒	針 板	送 具	押 具	梭 頭	梭 殼	梭 子	針 號	皮 帶 輪
L818F-H1-00	中厚布 至 厚布料	LA55F-A	E711	D711	P711	G122J	G202	G303	DB*1#21	LH01-A
L818F-H1-03										
L818F-H1-00A										
L818F-H1-03A										
L818F-H1A-00										
L818F-H1A-03										
L818F-H1A-00A										
L818F-H1A-03A										
L818F-H1-10										
L818F-H1-13										
L818F-H1-K10										
L818F-H1-K13										
L818F-H1A-10										
L818F-H1A-13										
L818F-H1A-K10										
L818F-H1A-K13										
L600A	L600A	E711	D711	P711	G122J	G202	G303	DB*1#21	LH01P-A	
L600A	L600A	E711D	D711D	P711D	G122J	G202	G303	DB*1#21	LH01-A	
L600A	L600A	E711D	D711D	P711D	G122J	G202	G303	DB*1#21	LH01P-A	


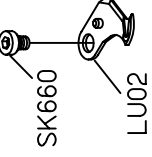



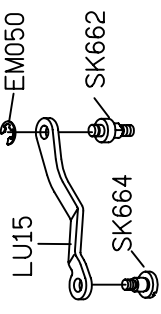

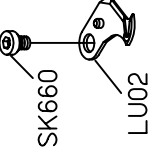



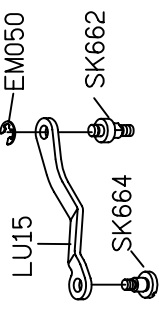

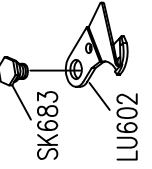



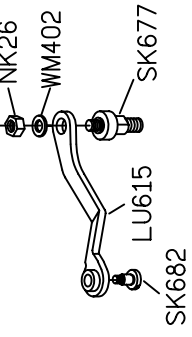






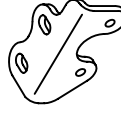





規格件表 CONVERSION CHART-4

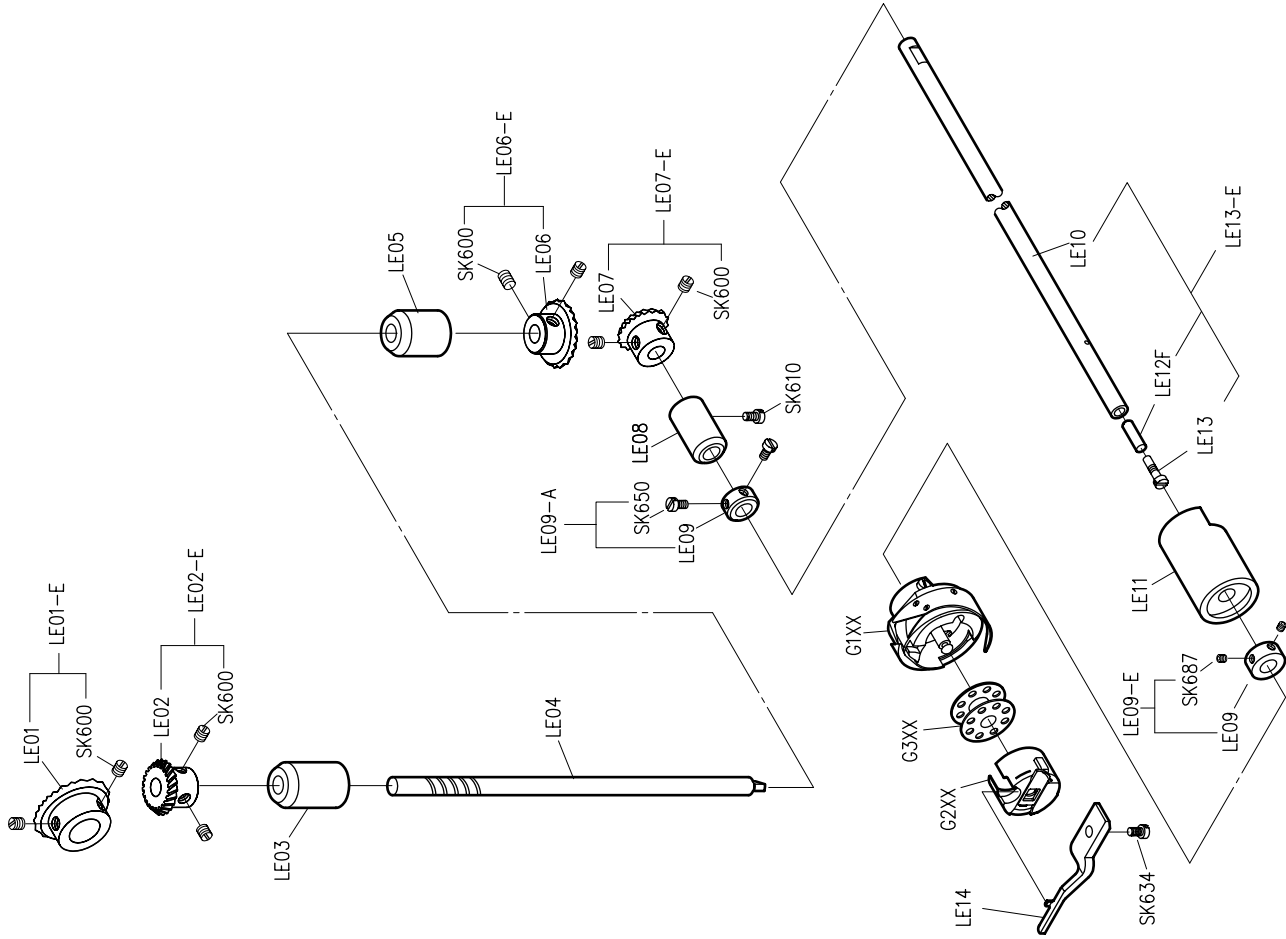
MODEL	機 型	SUB-CLASS	規 格	OPERATING PANEL	操作盒	NEEDLE PLATE	針 板	FEED DOG	送 具	PRESSER FOOT	押 具	HOOK ASM	梭 頭	BOBBIN CASE ASM	梭 殼	BOBBIN	梭 子	NEEDLE	針 號	HAND WHEEL	皮 帶 輪
L818F-F1-00 ?	超 薄 布 料		規 格	LA55F-A	E731	D731	P721	G113	G202	G303	DB*1SF#9	LH01-A									
L818F-F1-03				LA55F-A	E731	D731	P721	G113	G202	G303	DB*1SF#9	LH01Q-E									
L818F-F1-00A ?				LA53G-A	E731	D731	P721	G113	G202	G303	DB*1SF#9	LH01-A									
L818F-F1-03A				L600A	E731	D731	P721	G113	G202	G303	DB*1SF#9	LH01P-A									
L818F-F1-10 ?				LA55F-A	E721	D721	P721	G113	G202	G303	DB*1SF#9	LH01-A									
L818F-F1-13				LA55F-A	E721	D721	P721	G113	G202	G303	DB*1SF#9	LH01Q-E									
L818F-F1-K10 ?				LA53G-A	E721	D721	P721	G113	G202	G303	DB*1SF#9	LH01-A									
L818F-F1-K13				LA55F-A	E741	D741	P721	G121	G202	G303	DB*1#9	LH01-A									
L818F-F1-20 ?				LA55F-A	E721	D721	P721	G113	G202	G303	DB*1SF#9	LH01Q-E									
L818F-F1-23				LA53G-A	E721	D721	P721	G113	G202	G303	DB*1SF#9	LH01-A									
L818F-F1-20A ?				LA55F-A	E741	D741	P721	G121	G202	G303	DB*1#9	LH01-A									
L818F-F1-23A				LA55F-A	E741	D741	P721	G121	G202	G303	DB*1#9	LH01Q-E									
L818F-F1-30 ?				編 織 布 料		規 格	LA55F-A	E741	D741	P721	G121	G202	G303	DB*1#9	LH01-A						
L818F-F1-33	LA55F-A	E741	D741				P721	G121	G202	G303	DB*1#9	LH01Q-E									
L818F-K1-00 ?	LA55F-A	E741	D741				P721	G121	G202	G303	DB*1#9	LH01-A									
L818F-K1-03	LA55F-A	E741	D741				P721	G121	G202	G303	DB*1#9	LH01Q-E									
L818F-K1-00A ?	LA53G-A	E741	D741				P721	G121	G202	G303	DB*1#9	LH01-A									
L818F-K1-03A	LA53G-A	E741	D741				P721	G121	G202	G303	DB*1#9	LH01Q-E									
L818F-K1-10 ?			規 格	LA53G-A	E741	D741	P721	G121	G202	G303	DB*1#9	LH01-A									
L818F-K1-13				LA53G-A	E741	D741	P721	G121	G202	G303	DB*1#9	LH01Q-E									
L818F-K1-K10 ?				L600A	E741	D741	P721	G121	G202	G303	DB*1#9	LH01P-A									
L818F-K1-K13				L600A	E741	D741	P721	G121	G202	G303	DB*1#9	LH01P-A									

M1	 LA617 LU38 SK690	LA22	LA27	LA31	LB04	LB12	 SK241 LB06	LC10	LC12
L1	 LA17 SK613	LA22	LA227	LA231	LB204	LB212	 SK241 LB06	LC10	LC12
H1	 LA600 LU38 SK690	LA122	LA27	LA131	LB104	LB12	 LB100 LB106 NK23 WK09	LC610	LC612
M1	 LC13 LC623G LE14 HM1	 LG04 LG04F (M1B)	 SK219 LG01	 LG07 LG07F (M1B) (HM1)	 LG09 (HM1)	 LG13	 LG15	 LH06	 LH11
L1	 LC13 LC23E LE14	 LG04	 SK219 LG01	 LG07	 LG09	 LG13	 LG215	 LH06	 LH11
H1	 LC613 LC600G LE614	 LG104 LG104F (H1B)	 SK501 LG101	 LG107 LG107F (H1B)	 LG109	 LG113	 LG615	 LH606	 LH111

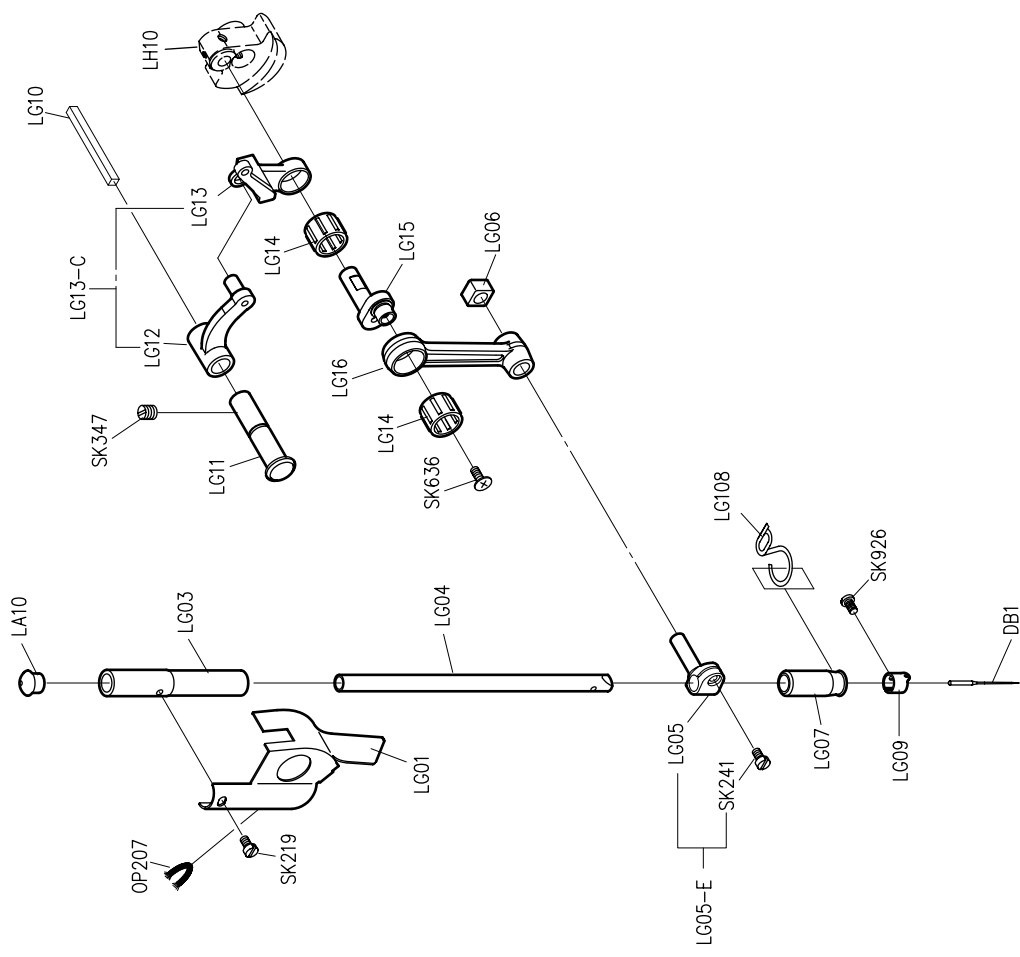
型別件對照表 MODEL COMPARE LIST-1

型別件對照表 MODEL COMPARE LIST-2

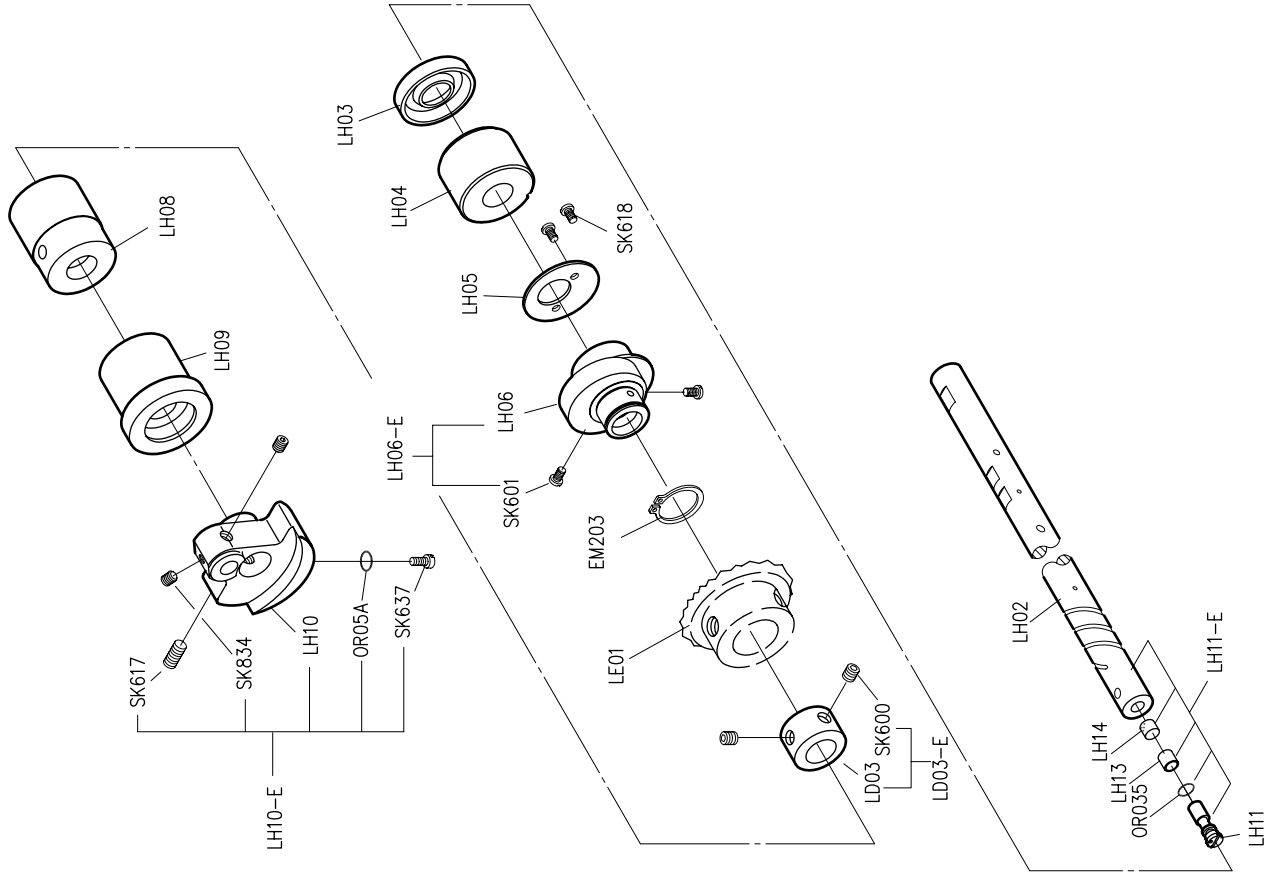
M1 HM1	 LU01	 SK660 LU02	 LU03	 LU04	 LU05	 EM050 SK662 SK664 LU15
L1	 LU01	 SK660 LU02	 LU03	 LU04	 LU05	 EM050 SK662 SK664 LU15
H1	 LU601	 SK683 LU602	 LU603	 LU604	 LU605	 NK26 MM402 SK677 SK682 LU615
M1 HM1	 LU18	 LU25	 LU26	 LU28		
L1	 LU18	 LU25	 LU26	 LU28		
H1	 LU618	 LU625	 LU626	 LU628		



PARTS LIST FOR LE GROUP



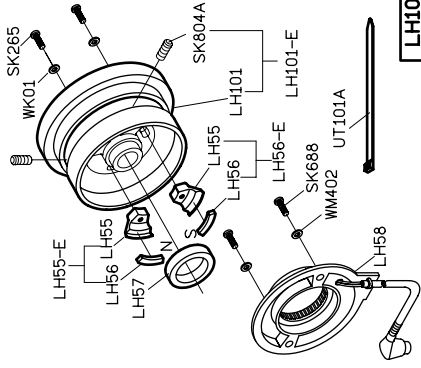
PARTS LIST FOR LG GROUP



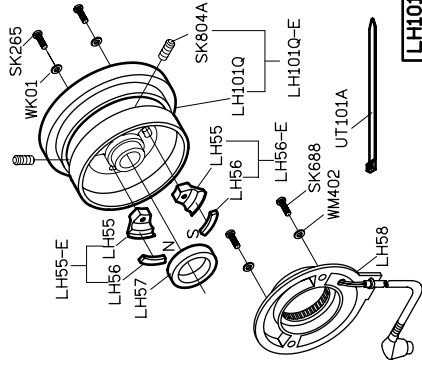
H 廠牌馬達

其他廠牌馬達

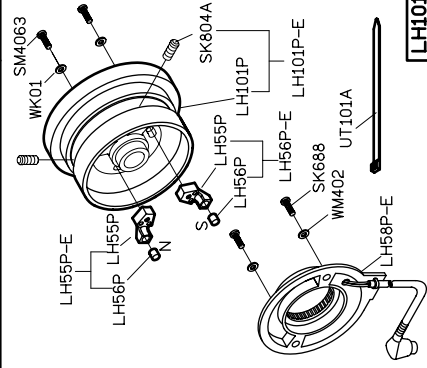
P 廠牌馬達



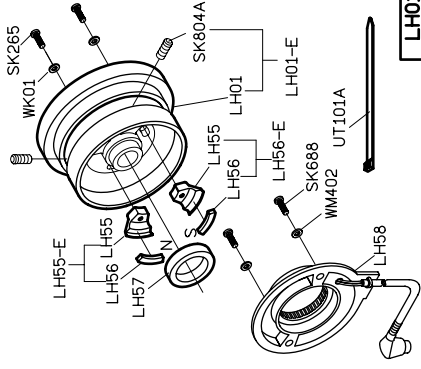
LH101-A



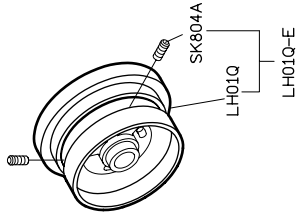
LH101Q-A



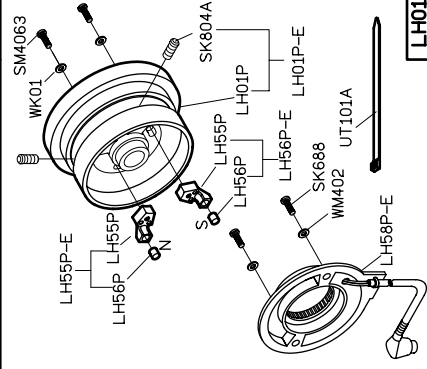
LH101P-A



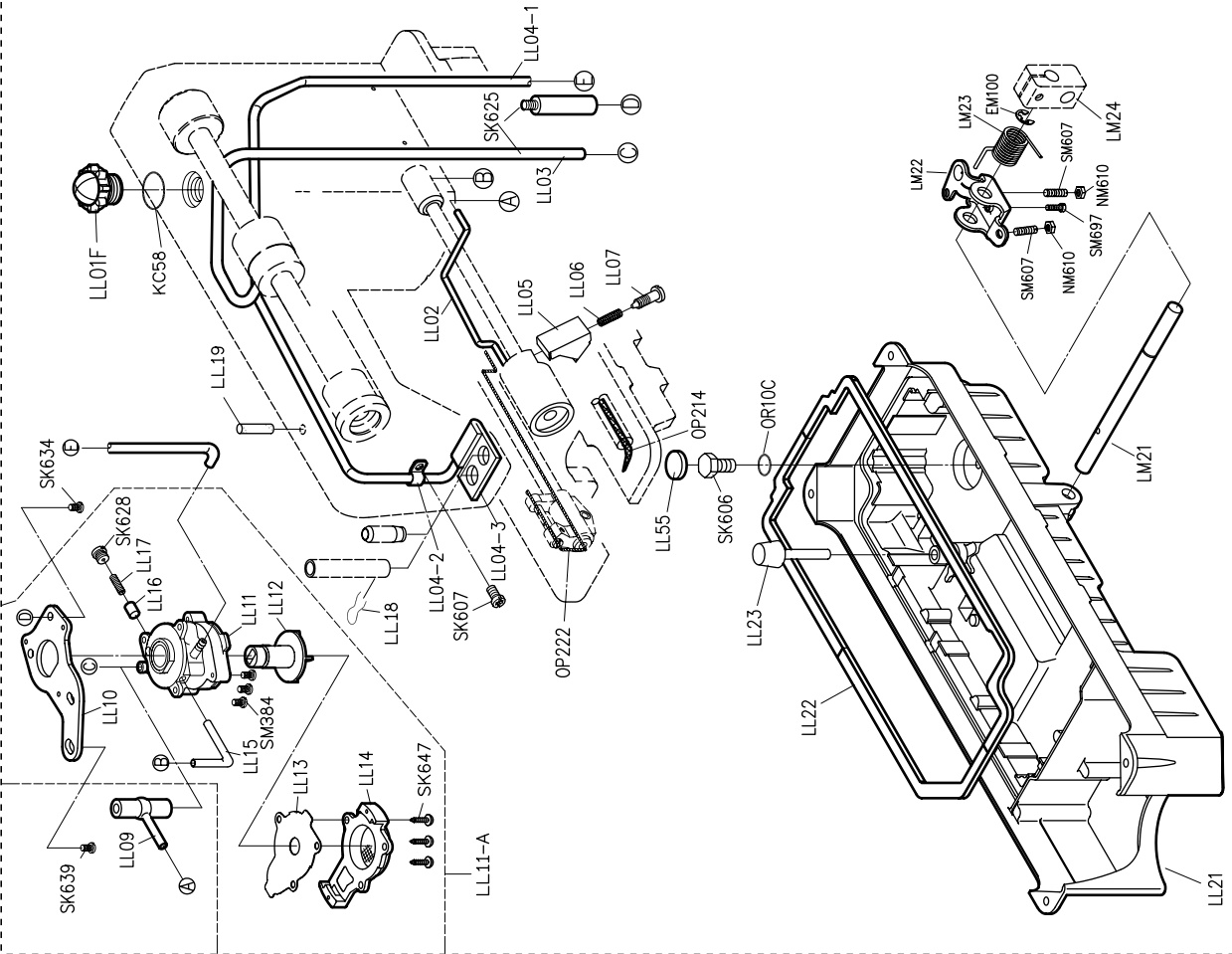
LH01-A



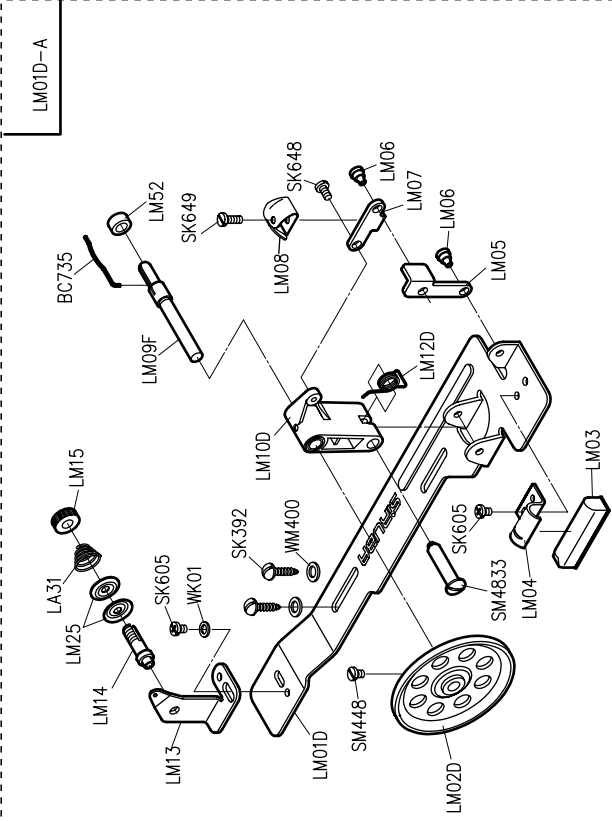
LH01Q-E



LH01P-A



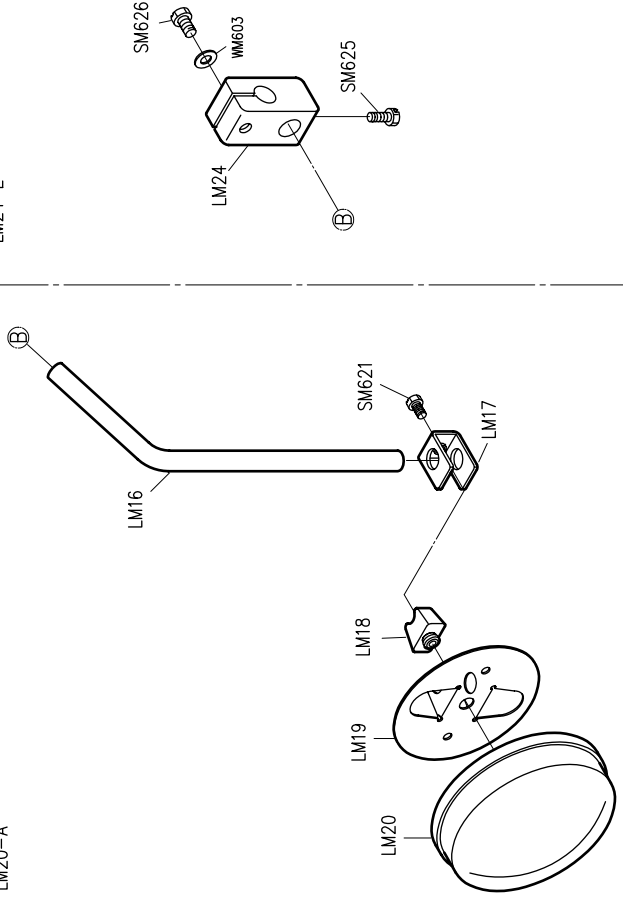
PARTS LIST FOR LL GROUP



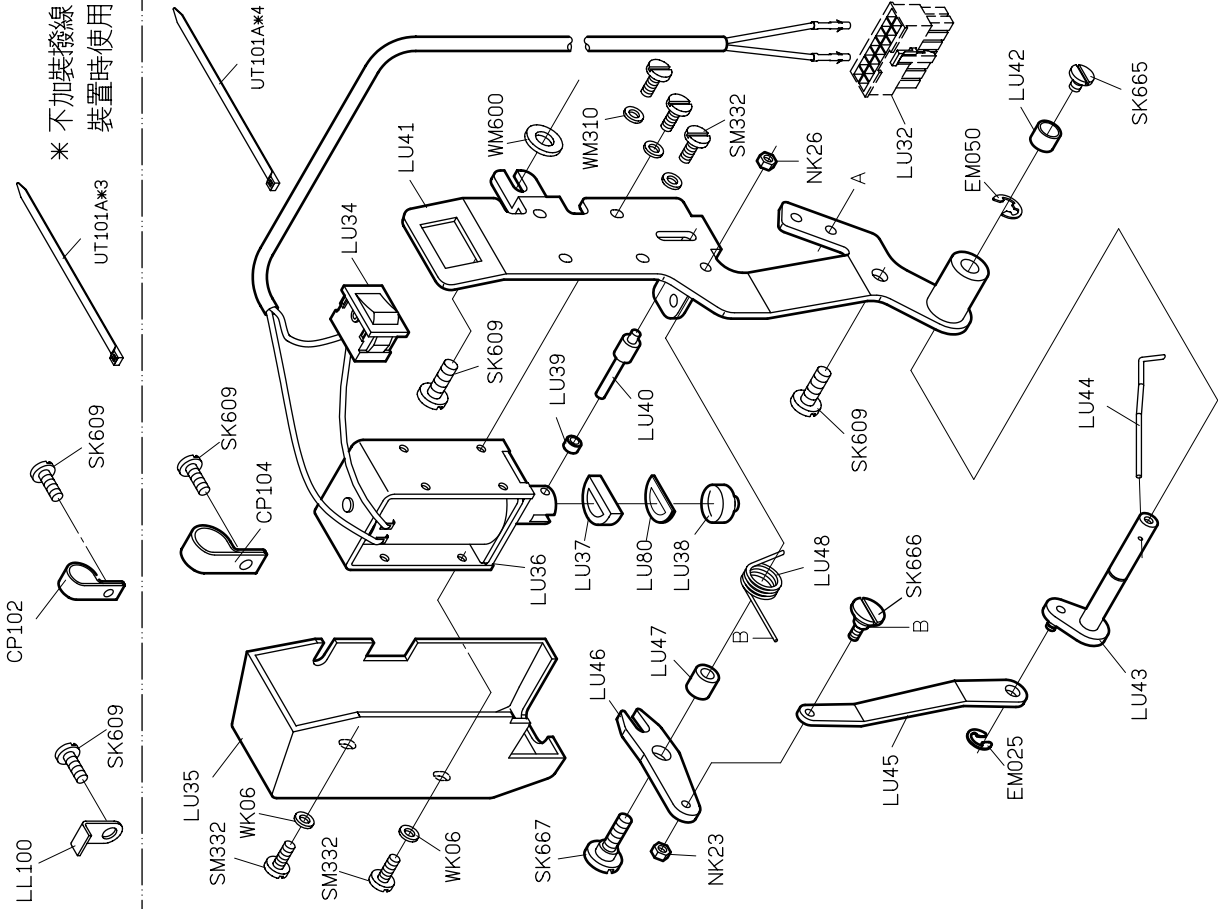
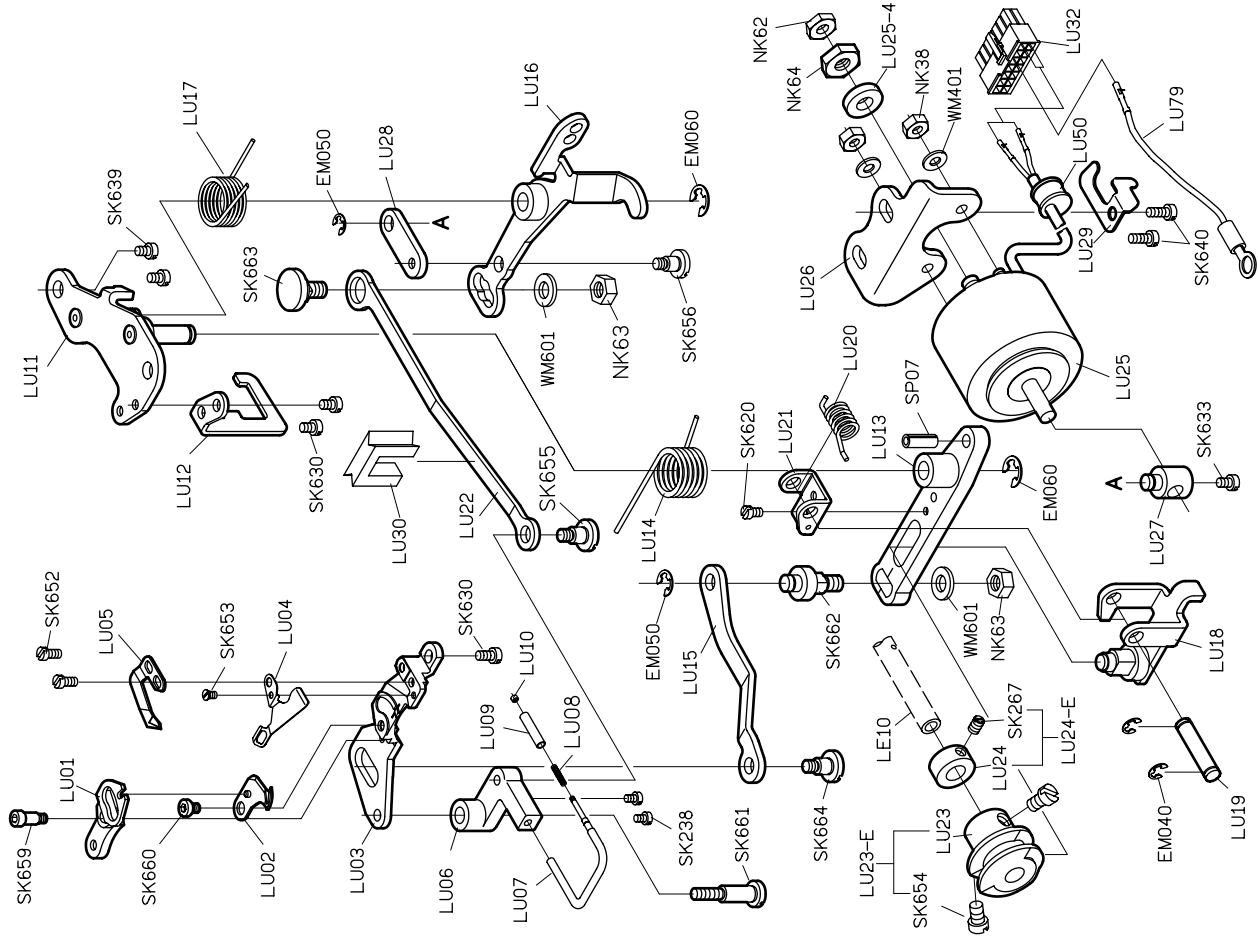
LM01D-A

LM20-A

LM24-E



PARTS LIST FOR LM GROUP



＊ 不加裝撥線
裝置時使用

UT101A*3

UT101A*4

CP102

LL100

SK609

CP104

SM332

WKO6

SM332

WKO6

SK667

NK23

LU35

LU36

LU37

LU38

LU39

LU40

LU41

LU42

LU43

LU44

LU45

LU46

LU47

LU48

LU49

LU50

LU51

LU52

LU53

LU11

SK639

LU12

SK663

EM050

LU17

SK663

EM050

LU28

SK663

LU16

EM060

LU22

SK655

LU26

LU20

LU13

LU21

LU14

LU15

EM050

LU18

LU27

SK633

LU25

LU29

LU32

LU33

LU34

LU35

SK659

LU01

SK660

LU02

SK660

LU03

SK660

LU04

SK660

LU05

SK660

LU06

SK660

LU07

SK660

LU08

SK660

LU09

SK660

LU10

SK660

LU11

SK660

LU12

SK660

LU13

SK660

LU14

SK660

LU15

SK652

LU01

SK660

LU02

SK660

LU03

SK660

LU04

SK660

LU05

SK660

LU06

SK660

LU07

SK660

LU08

SK660

LU09

SK660

LU10

SK660

LU11

SK660

LU12

SK660

LU13

SK660

LU14

SK660

LU15

SK652

LU01

SK660

LU02

SK660

LU03

SK660

LU04

SK660

LU05

SK660

LU06

SK660

LU07

SK660

LU08

SK660

LU09

SK660

LU10

SK660

LU11

SK660

LU12

SK660

LU13

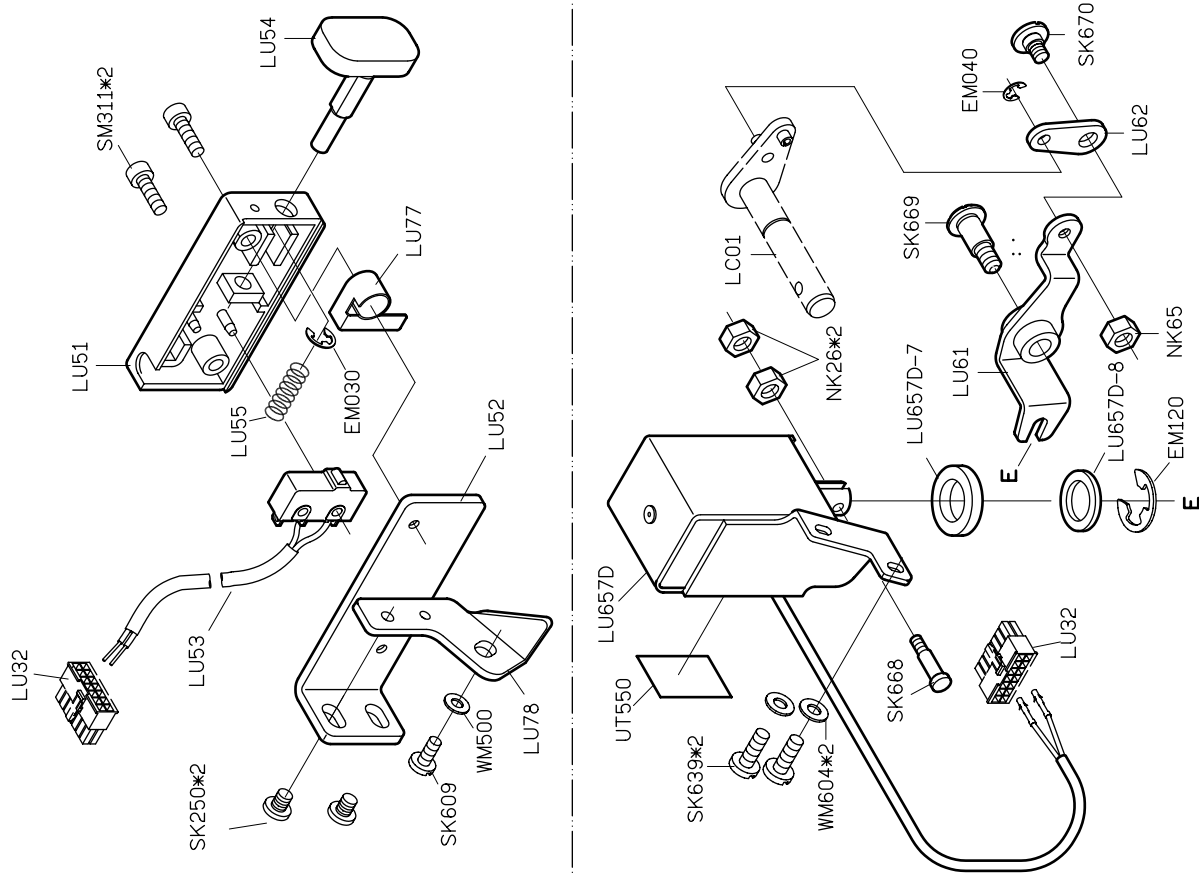
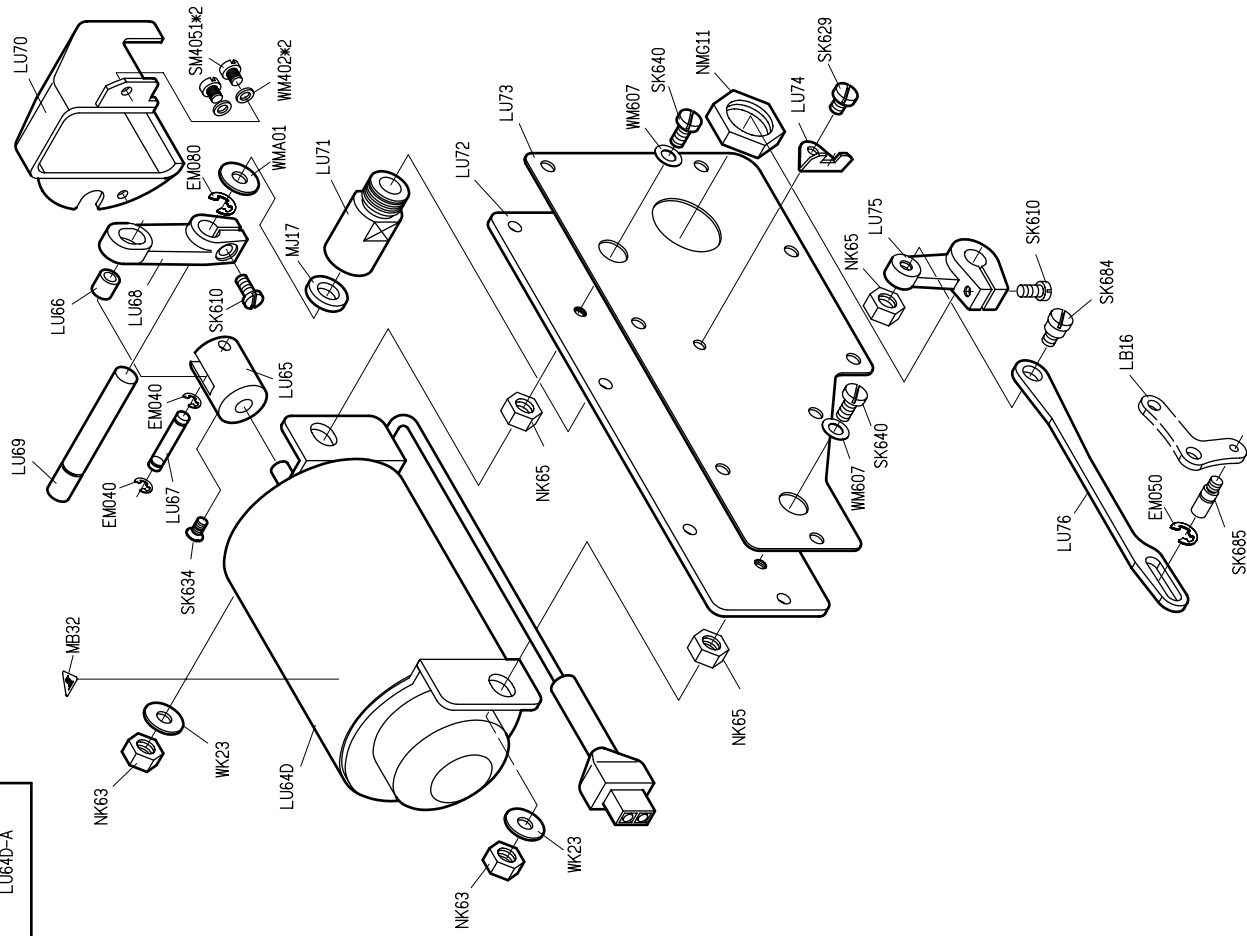
SK660

LU14

SK660

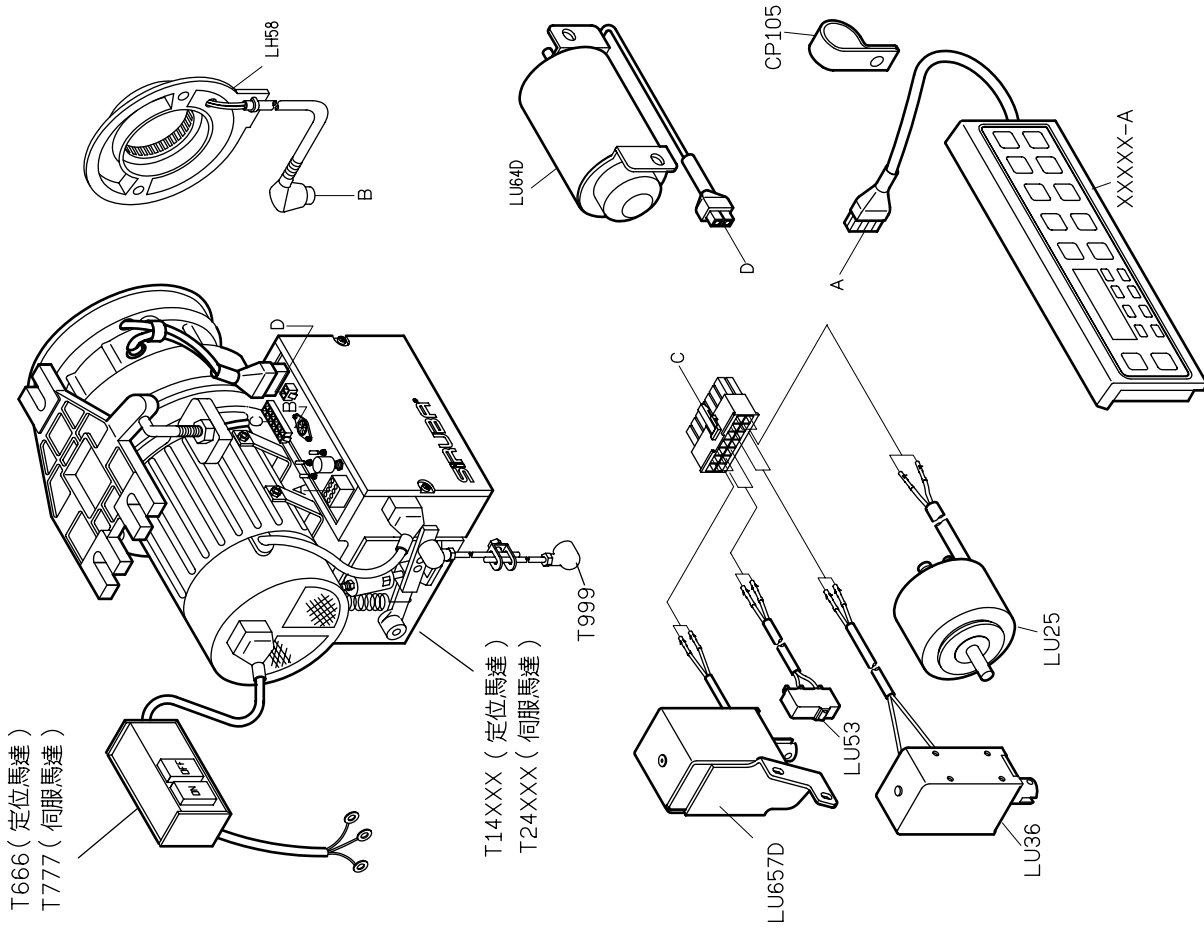
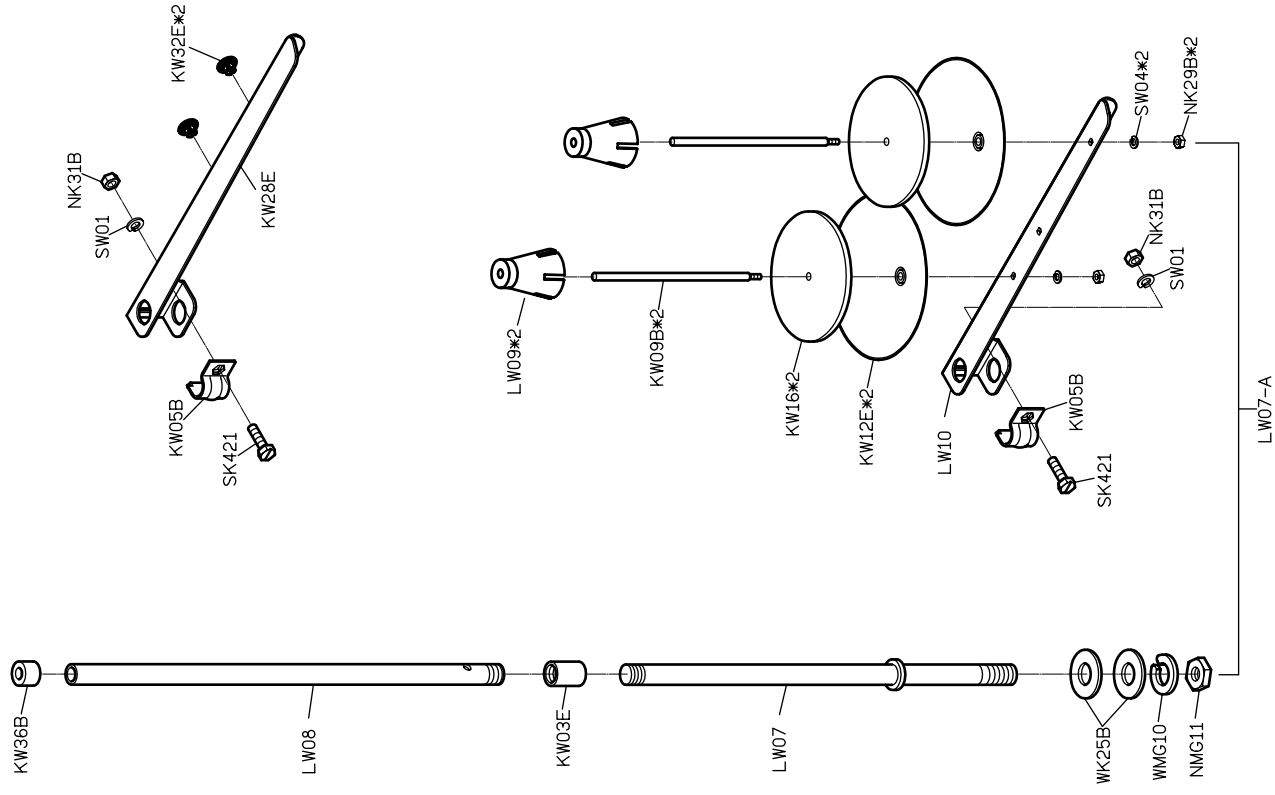
LU15

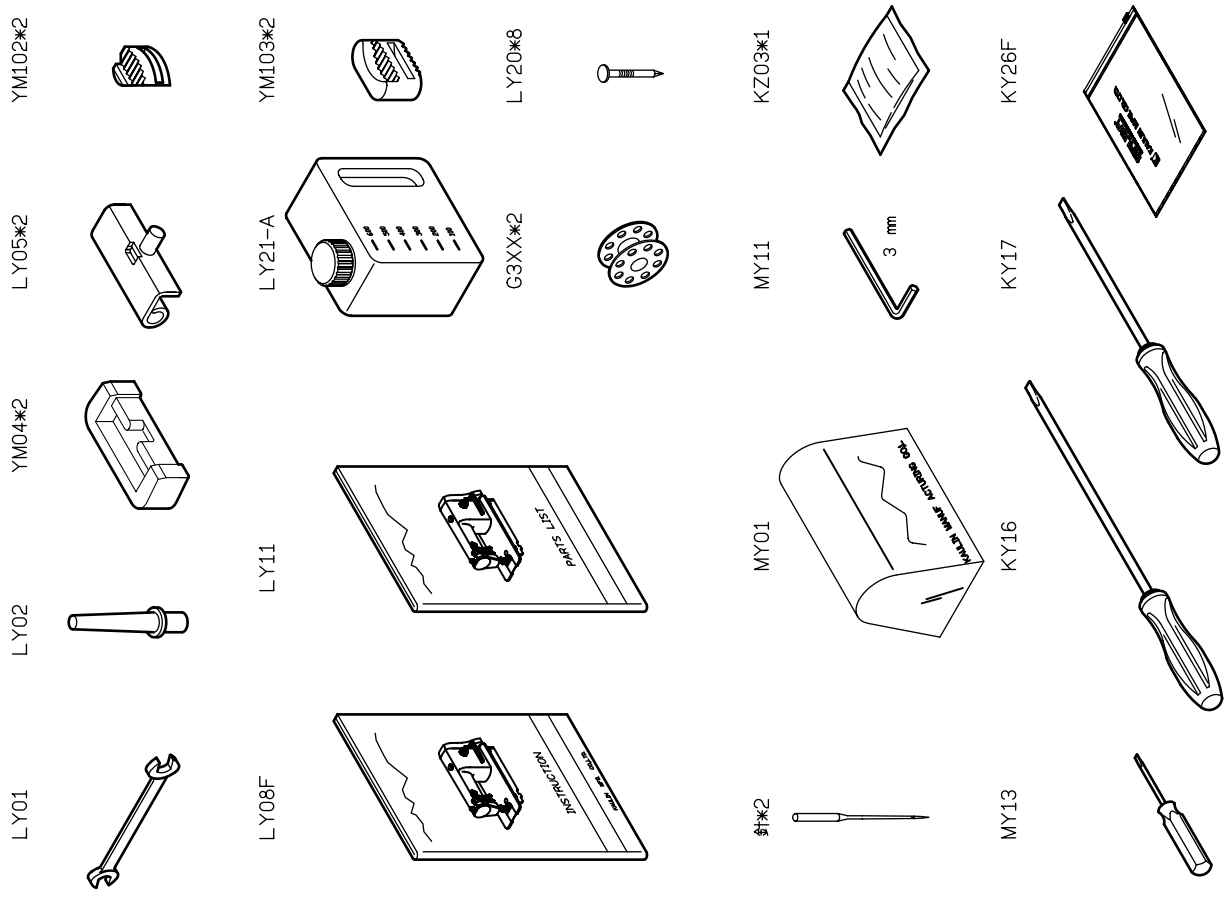
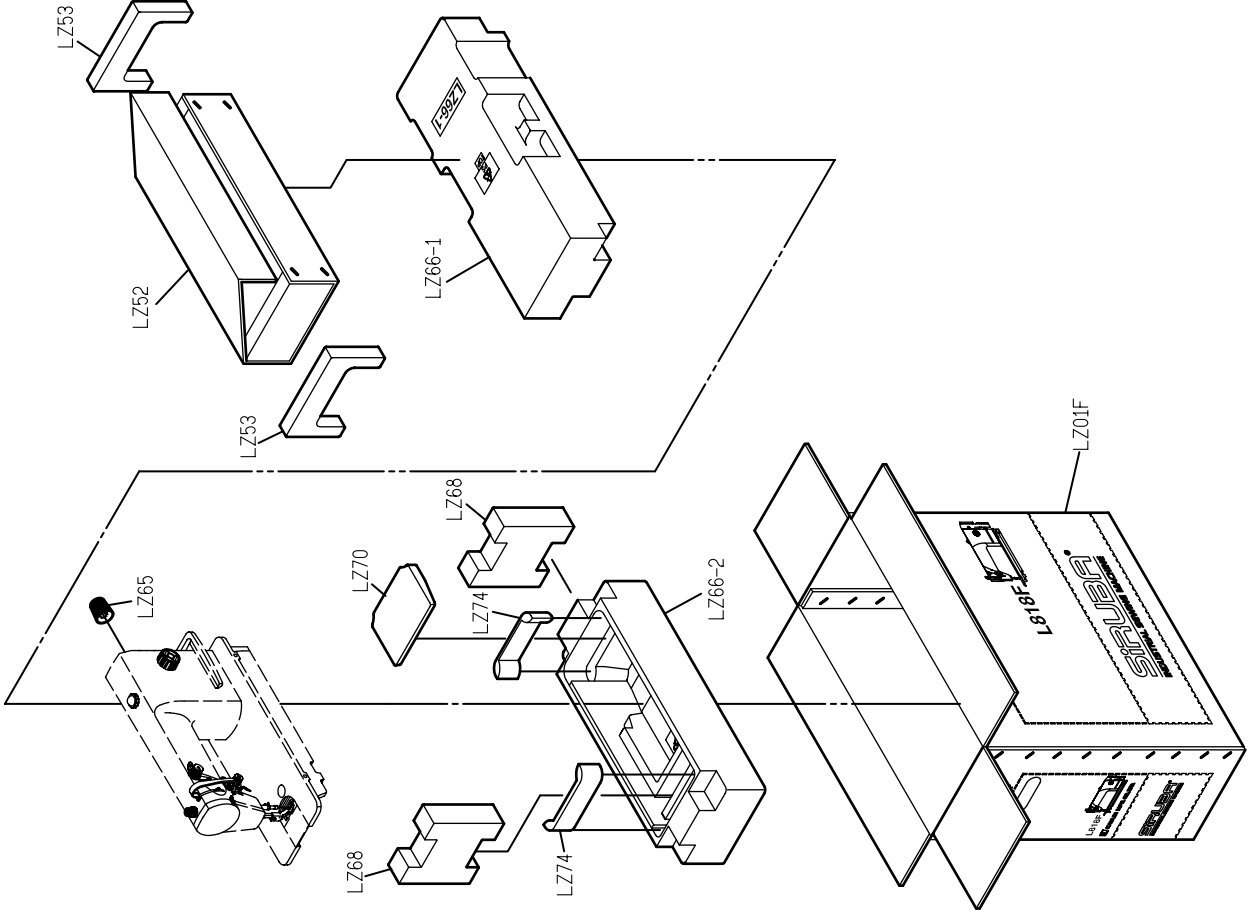
LU640-A



PARTS LIST FOR LU GROUP

PARTS LIST FOR LU GROUP





PARTS LIST FOR LY GROUP

PARTS LIST FOR LZ GROUP



L818F

WITH TRIMMER

高林股份有限公司 KAULIN MFG. CO., LTD.